

# D-Subminiature Connector P.C.B Straight EMI Male & Female Type



## DPSEMI Series EMI Straight (Plug)&(Socket)

### FEATURES:

- Contact positions: 09,15,25 and 37  
Plus a ferrite plate, as a high-frequency anti-noise interface with digital equipments
- It performs like a low-pass filter that removes noises in the high frequency range (100~300 MHz)
- Various types of fasten option
- Ideal for handling high-speed signals
- Prevention of EMI/RFI
- Designed for use with data signal carrying devices
- Available in socket styles
- Optional plating available
- Mates with industry compatible connectors

### MATERIALS:

- Contacts: Brass
- Housing: PBT+30% Glass Fiber (UL 94V-0)
- Shell: Cold Roller Steel

### ELECTRICAL CHARACTERISTICS:

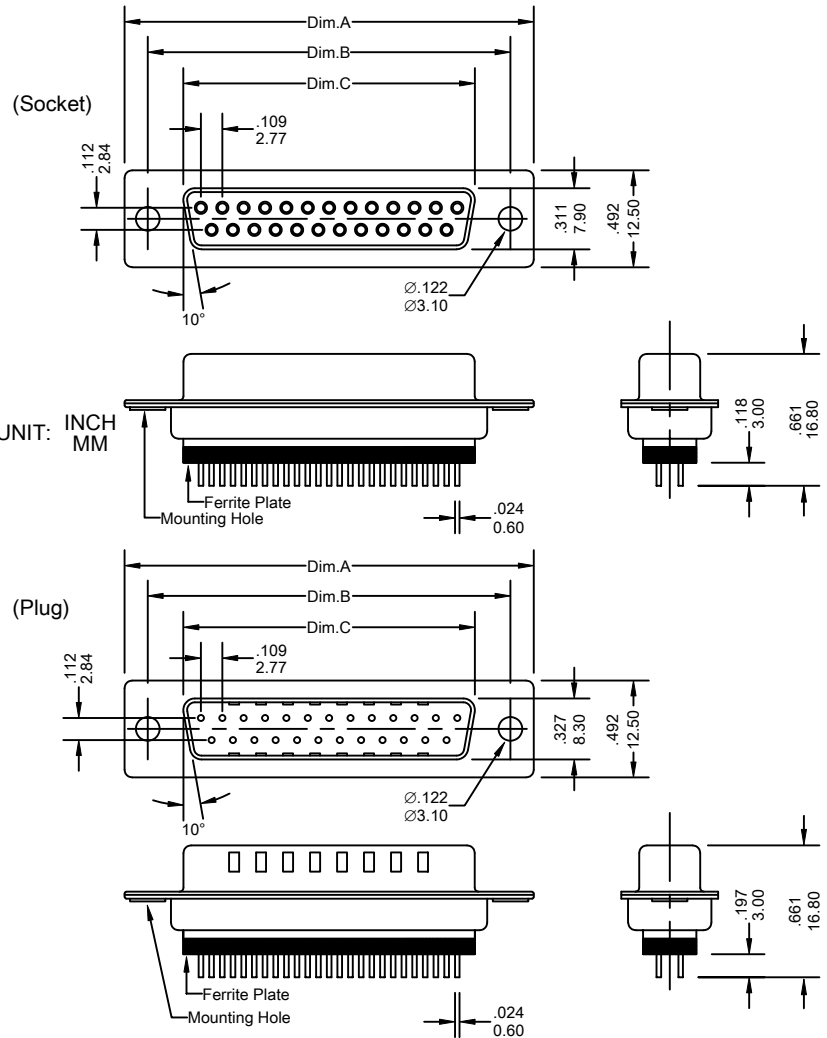
- Current rating: 5 Amperes
- Withstanding Voltage: AC 1250V r.m.s
- Insulation Resistance: 5000 Megohms Minimum at DC 500V
- Contact Resistance: 15 Milliohms Maximum
- Operation Temperature: -55°C ~ +105°C
- Applicable P.C.Board thickness: .063"[1.6mm]

### MECHANICAL CHARACTERISTICS:

- Contact Resistance Force: 341 g. Maximum
- Contact Separation Force: 20 g. Minimum

### FINISHES:

- Contact: Gold Flash ,10,15,30,50u"
- Shell: Nickel Plated, Tin Plated



## Ordering Information DPSEMI Series

Series No.	No. of Contacts	Contact Type	Shell Finish	Mounting Hole	Contacts Plating	Insulation Color	
DPSEMI	- 25	M -	1	0	0	0	- PB
DPSEMI Series	09 15 25 37	M: Male (Plug) F: Female (Socket)	0: Nickel 1: Tin	0: Through Hole 1: Thread Insert #4-40 uncs 2: Front Rivete #4-40 nuts 3: Rear Rivet #4-40 nuts	0: Gold Flash 1: 5u" Gold 2: 10u" Gold 3: 15u" Gold 4: 30u" Gold 5: Selective Gold Flash 6: Selective 5u" Gold 7: Selective 10u" Gold 8: Selective 15u" Gold 9: Selective 30u" Gold	0: Black 1: Blue 2: White 3: Grey	RoHs

### Dimensional Information (Socket)

Dim.	Circuits				
	9	15	25	37	
Dim.A±	.015 0.38	1.213 30.80	1.543 39.20	2.089 53.05	2.732 69.40
Dim.B±	.005 0.13	.984 25.00	1.311 33.30	1.852 47.05	2.500 63.50
Dim.C±	.005 0.13	.642 16.30	.969 24.60	1.510 38.35	2.158 54.80

### Dimensional Information (Plug)

Dim.	Circuits				
	9	15	25	37	
Dim.A±	.015 0.38	1.213 30.80	1.543 39.20	2.089 53.05	2.732 69.40
Dim.B±	.005 0.13	.984 25.00	1.311 33.30	1.852 47.05	2.500 63.50
Dim.C±	.005 0.13	.665 16.90	.994 25.25	1.534 38.95	2.181 55.40